

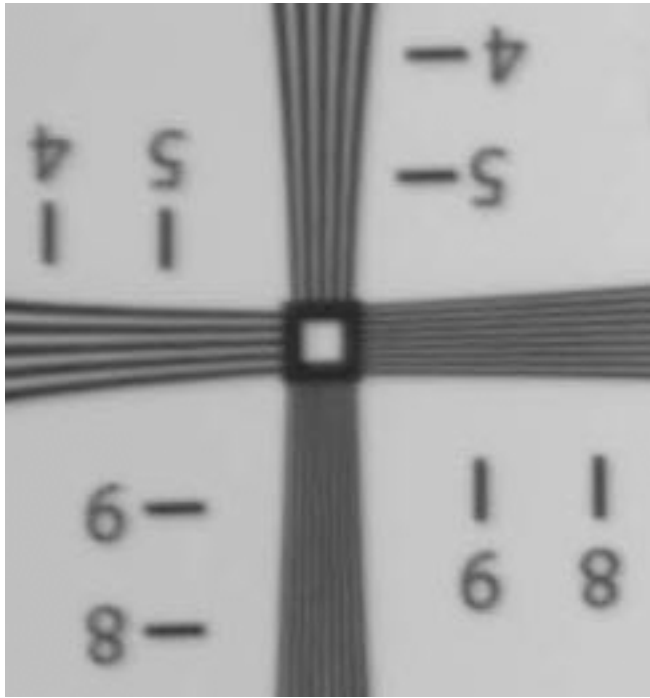
Pentax 6x7 Lens Tests

R.D. Crisp

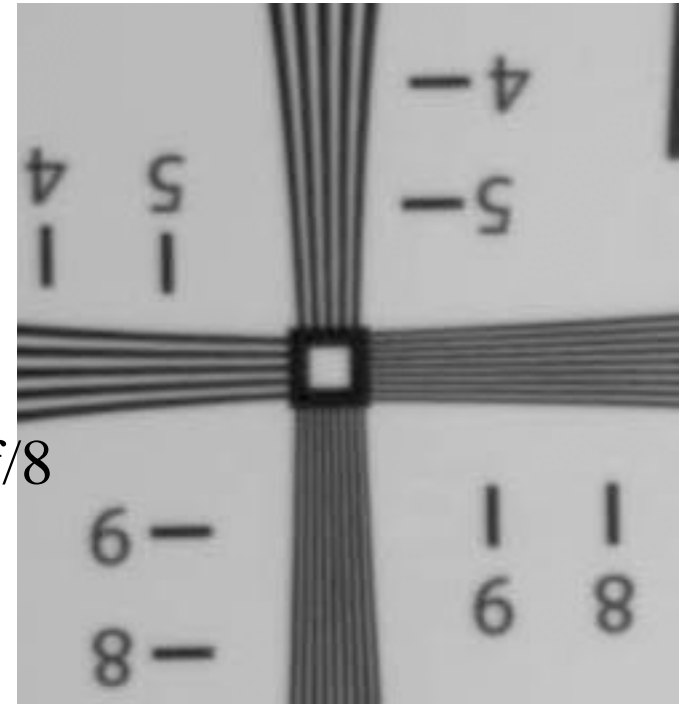
www.narrowbandimaging.com

rdcrisp@earthlink.net

rdcrisp@earthlink.net
www.narrowbandimaging.com



35mm f/4.5 @f/8
 Fisheye
 (up to 180deg
 FOV)

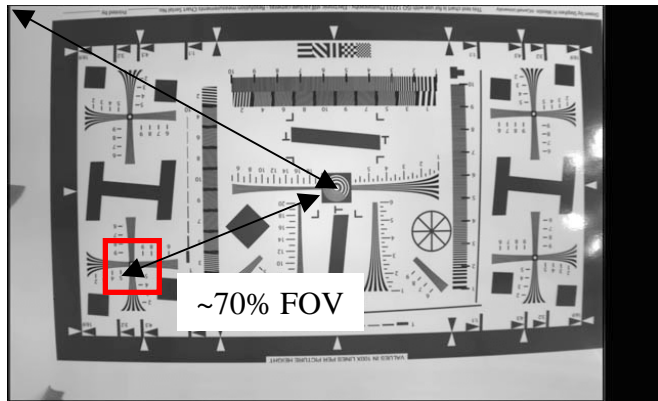


75mm f/4.5 @f/8
 (up to 61deg
 FOV)

KAF6303E
 sensor

27.22 degrees
 off axis to corner

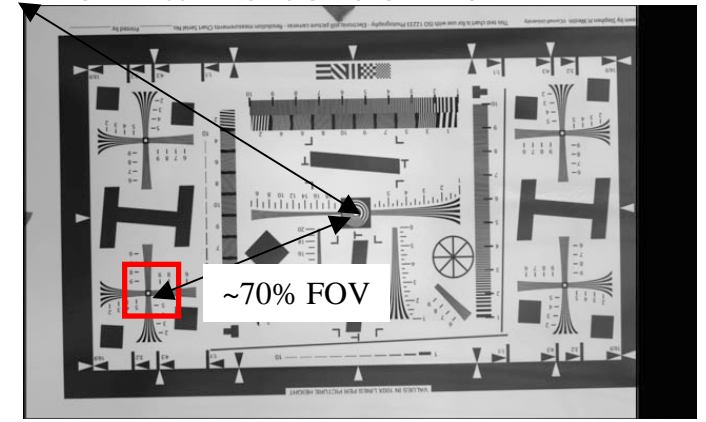
12.07 degrees
 off axis to corner



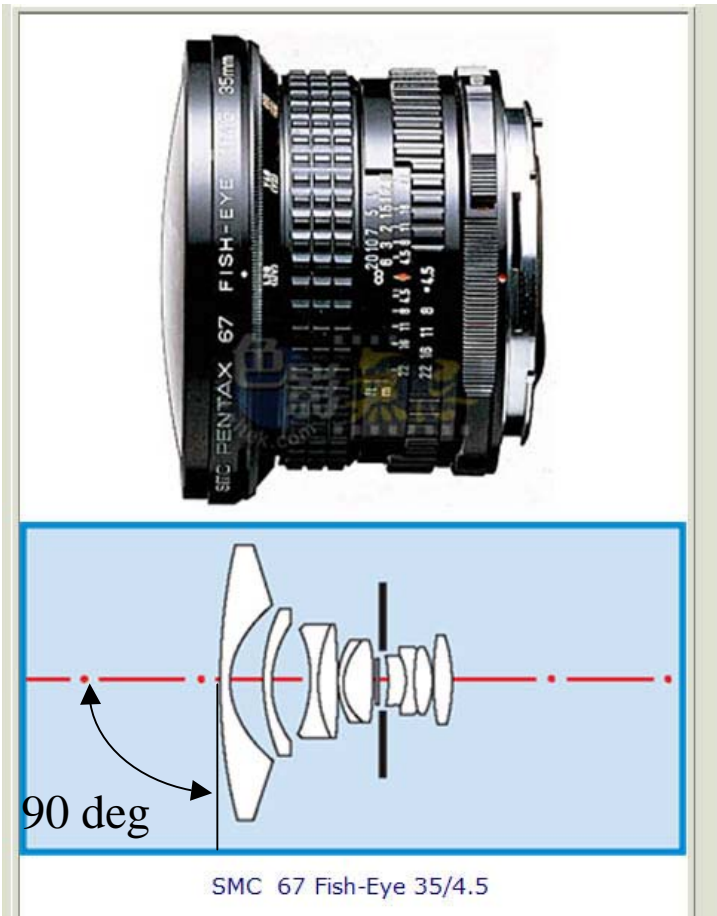
45.31 degrees

30.17 degrees

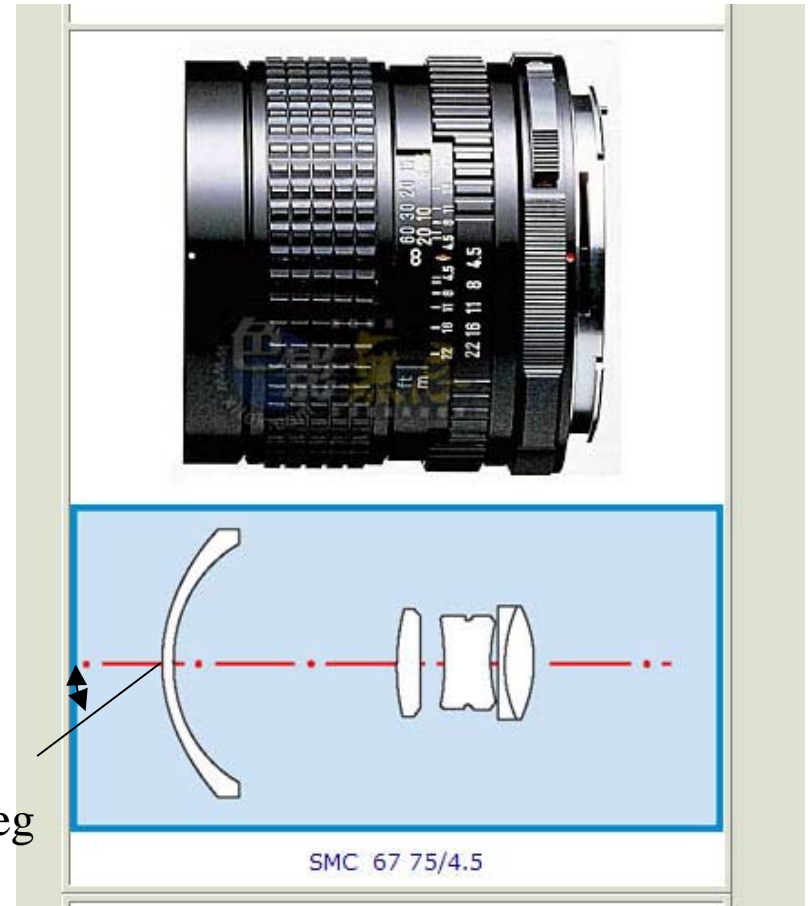
14.08 degrees



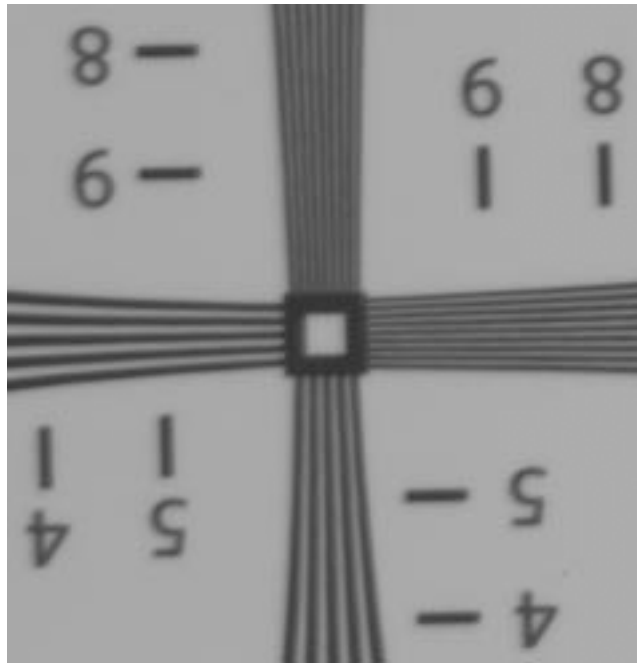
21.14 degrees



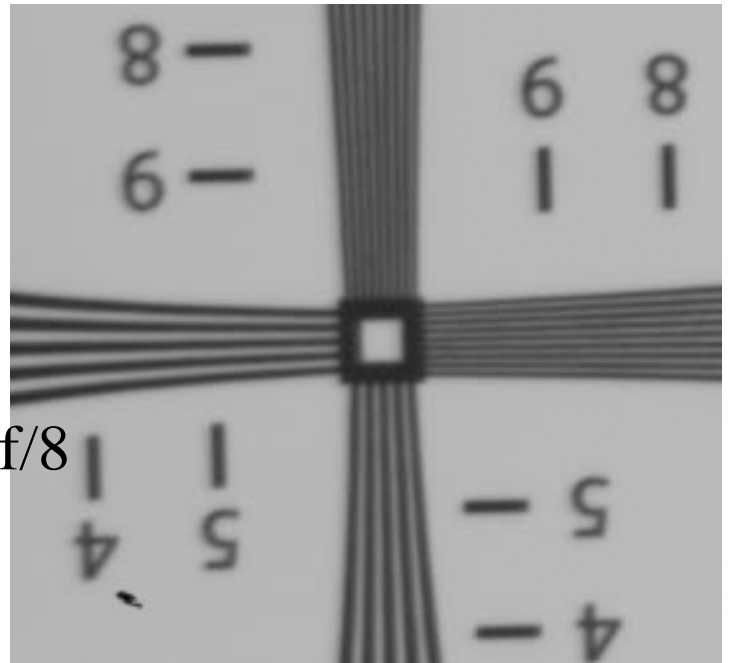
920grams
Up to 180 degree FOV
11 elements



560grams
Up to 61 degree FOV
5 elements



45mm f/4 @f/8
(up to 89deg
FOV)

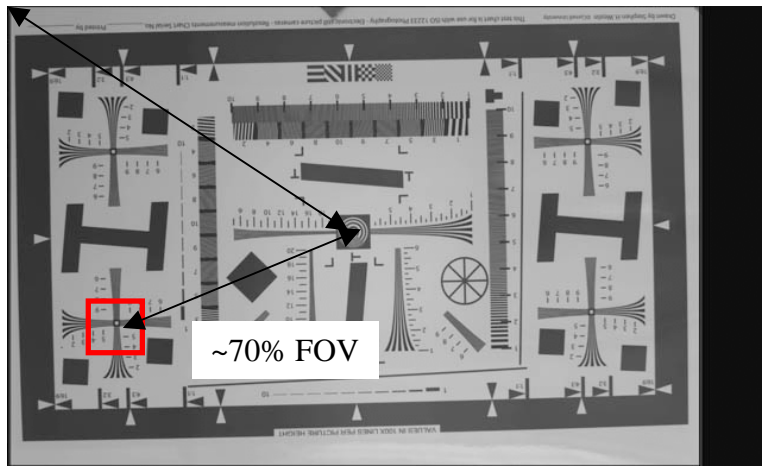


55mm f/3.5 @f/8
(up to 78 deg
FOV)

21.17 degrees
off axis to corner

KAF6303E
sensor

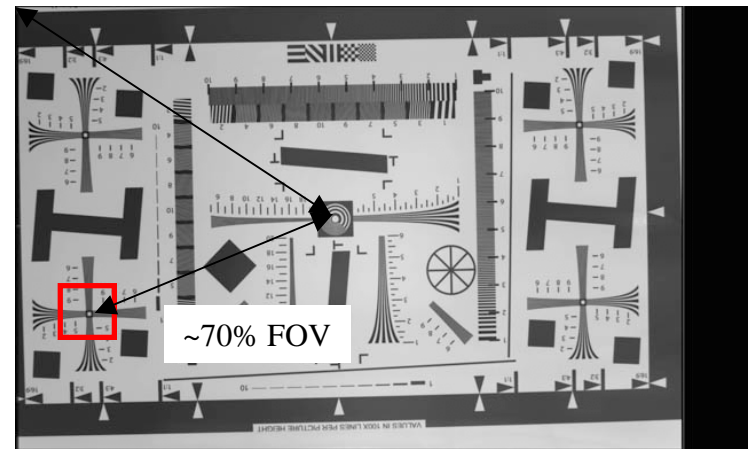
17.32 degrees
off axis to corner



~70% FOV

23.46 degrees

19.20 degrees

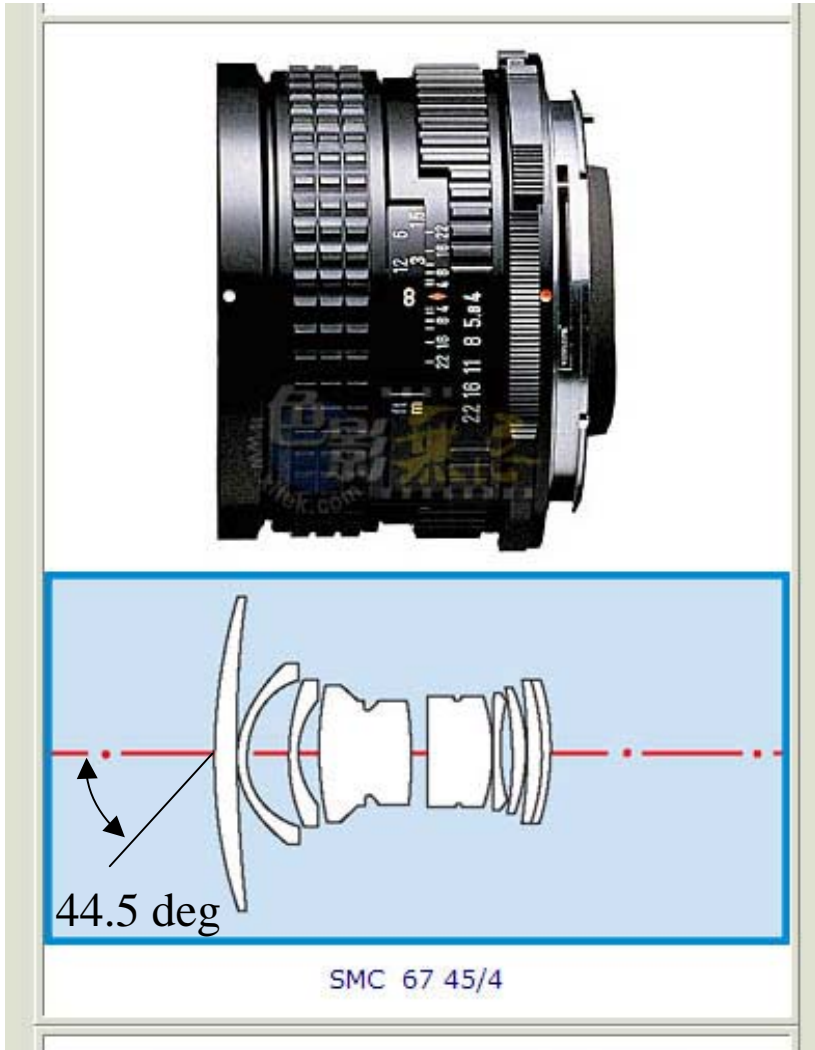


~70% FOV

35.24 degrees (0.2mr/pixel)

rdcrisp@earthlink.net
www.narrowbandimaging.com

28.83 degrees

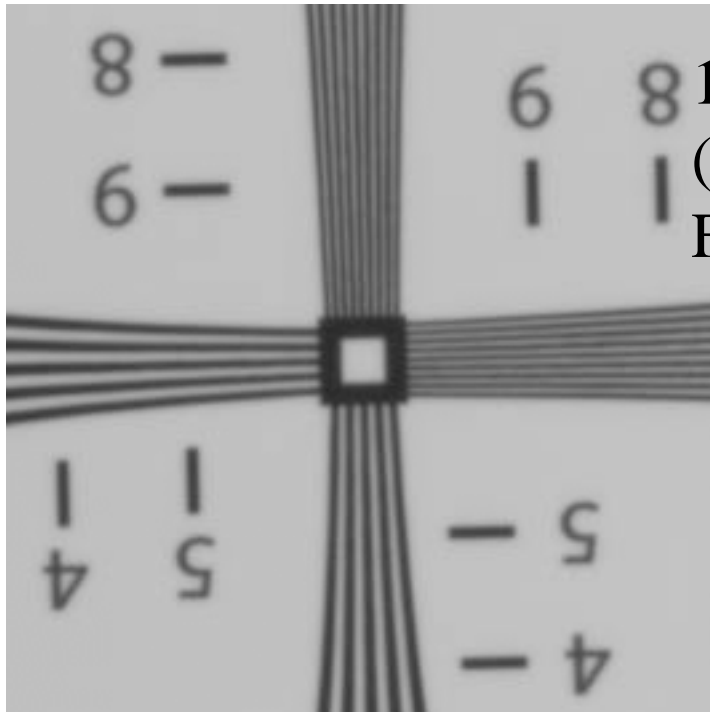


485 grams

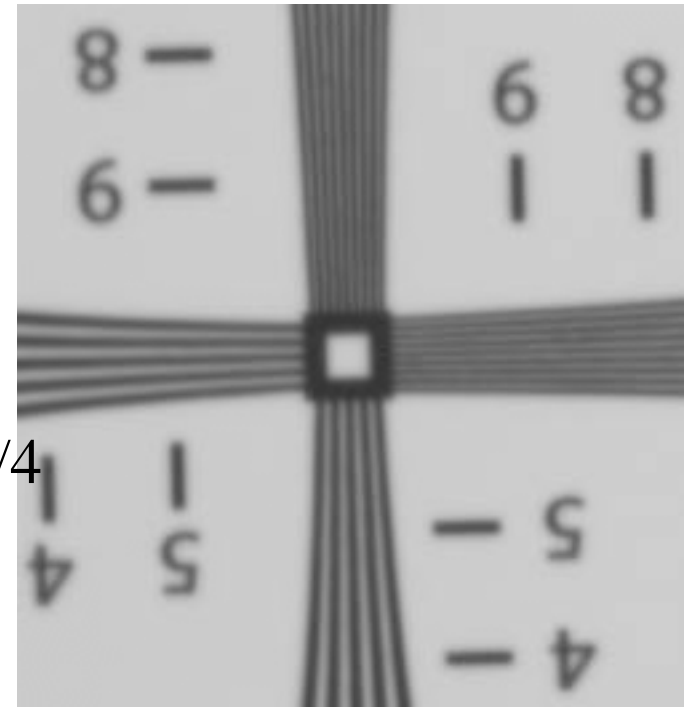
Up to 89 degree FOV

9 elements

rdcrisp@earthlink.net
www.narrowbandimaging.com



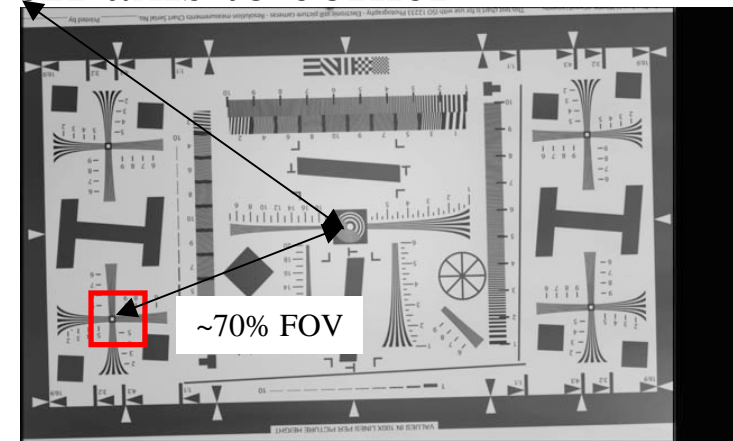
105mm f/2.4 @f/8
(up to 45deg
FOV)



105mm f/2.4 @f/4
(up to 45deg
FOV)

KAF6303E
sensor

9.07 degrees
off axis to corner



~70% FOV

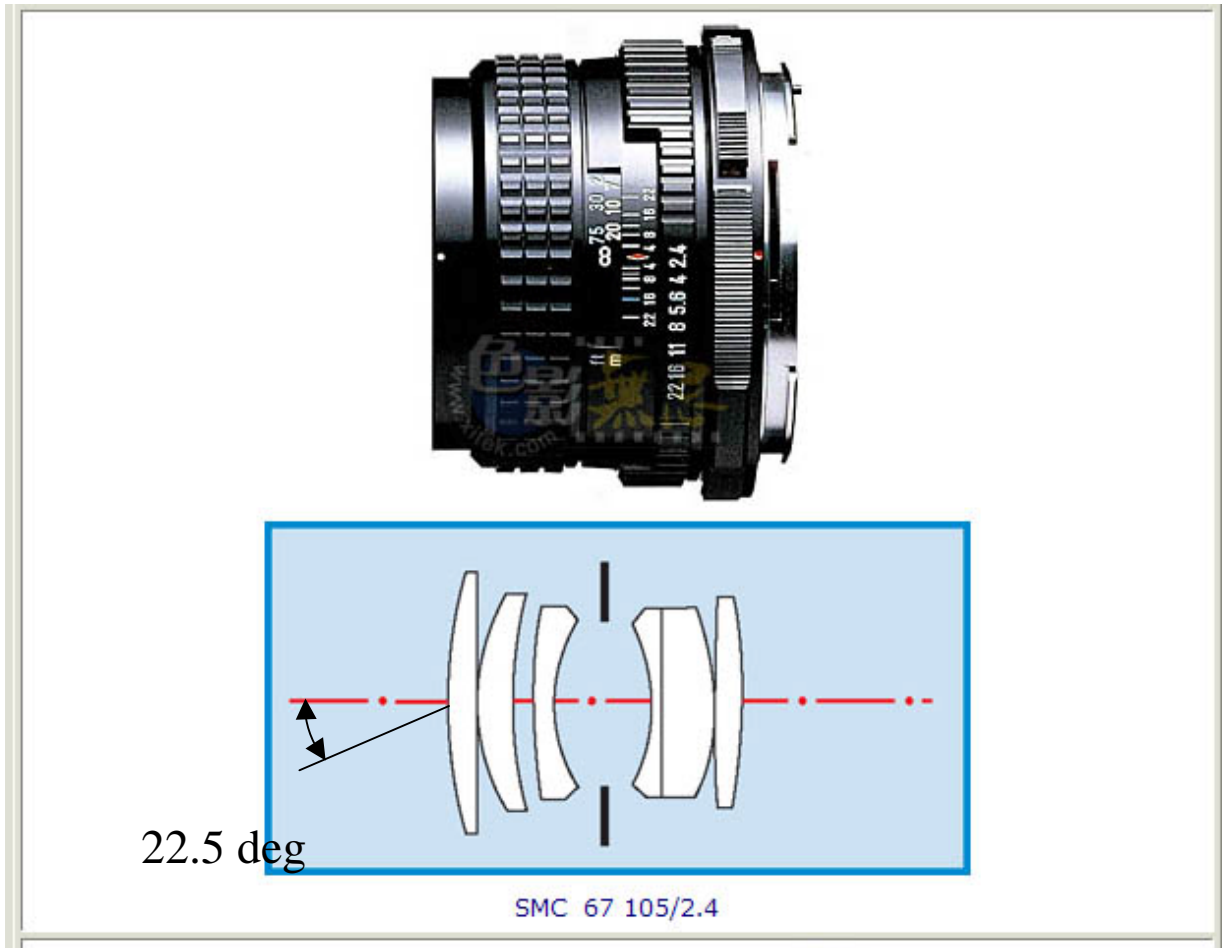
10.05 degrees

105mm f/2.4 @f/2.4
(up to 45deg
FOV)

15.11 degrees

rdcrisp@earthlink.net
www.narrowbandimaging.com



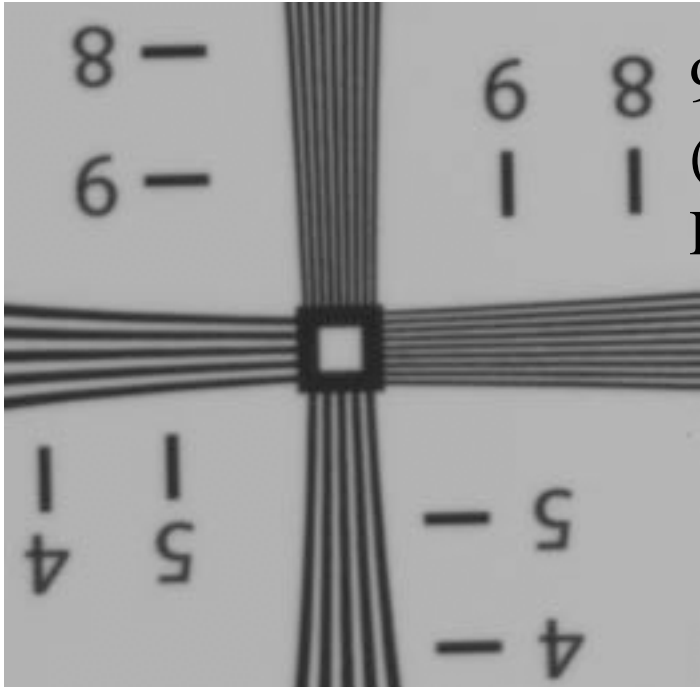


590 grams

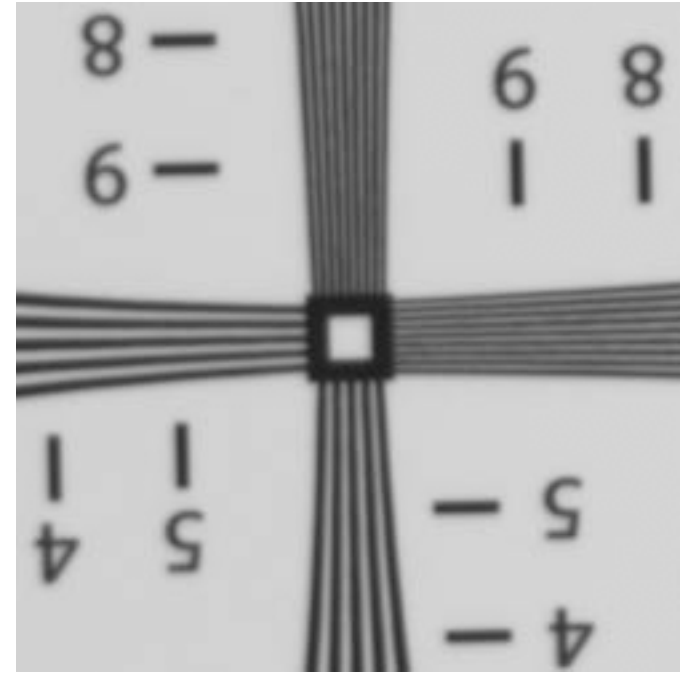
Up to 45 degree FOV

6 elements

rdcrisp@earthlink.net
www.narrowbandimaging.com

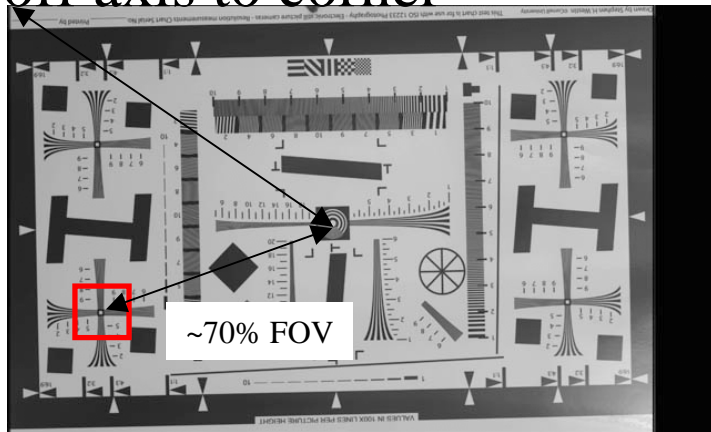


90mm f/2.8 @f/8
(up to 53deg
FOV)



90mm f/2.8 @f/4
(up to 53deg
FOV)

10.58 degrees
off axis to corner

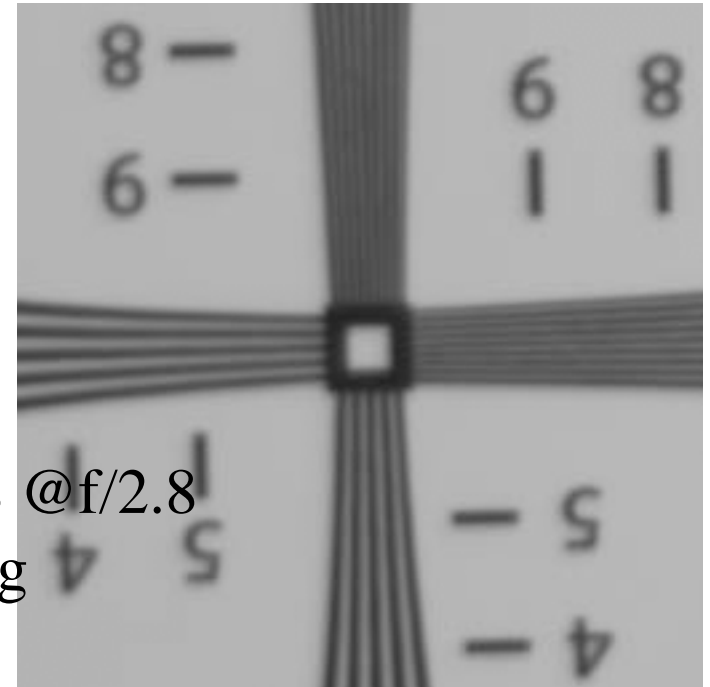


17.62 degrees

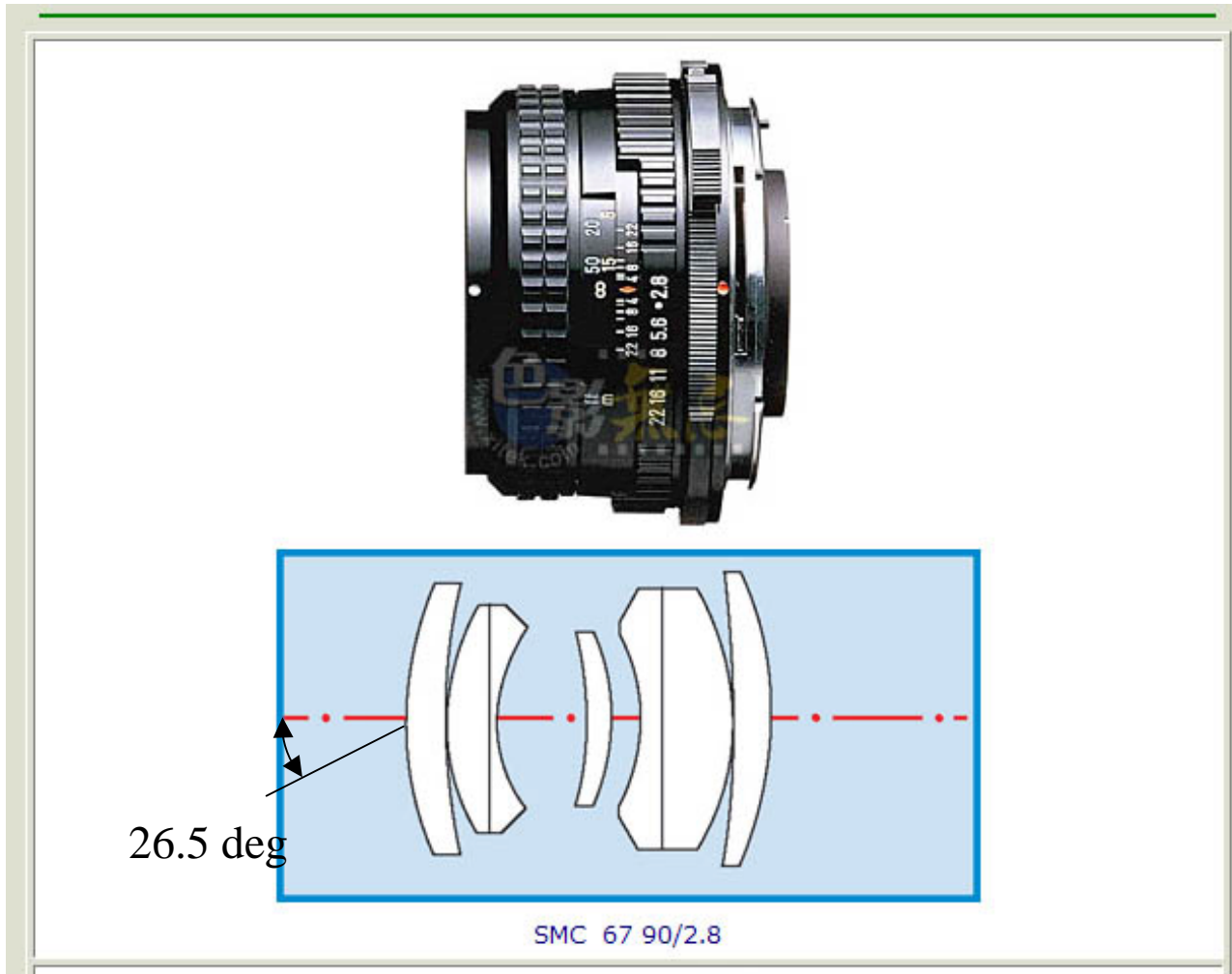
KAF6303E
sensor

11.73 degrees

90mm f/2.8 @f/2.8
(up to 53deg
FOV)



rdcrisp@earthlink.net
www.narrowbandimaging.com



480 grams

Up to 53 degree FOV

7 elements

rdcrisp@earthlink.net

www.narrowbandimaging.com