

Resolution of certain flat-field anomalies involving square emission line filters

Richard Crisp

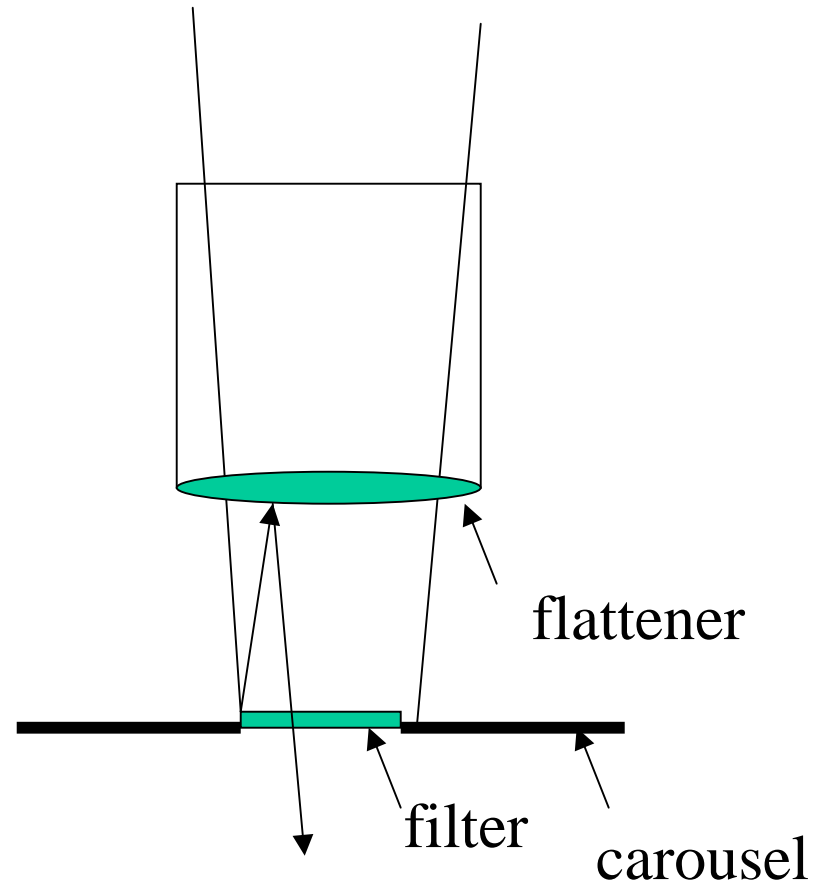
7/22/2007

Description of problem

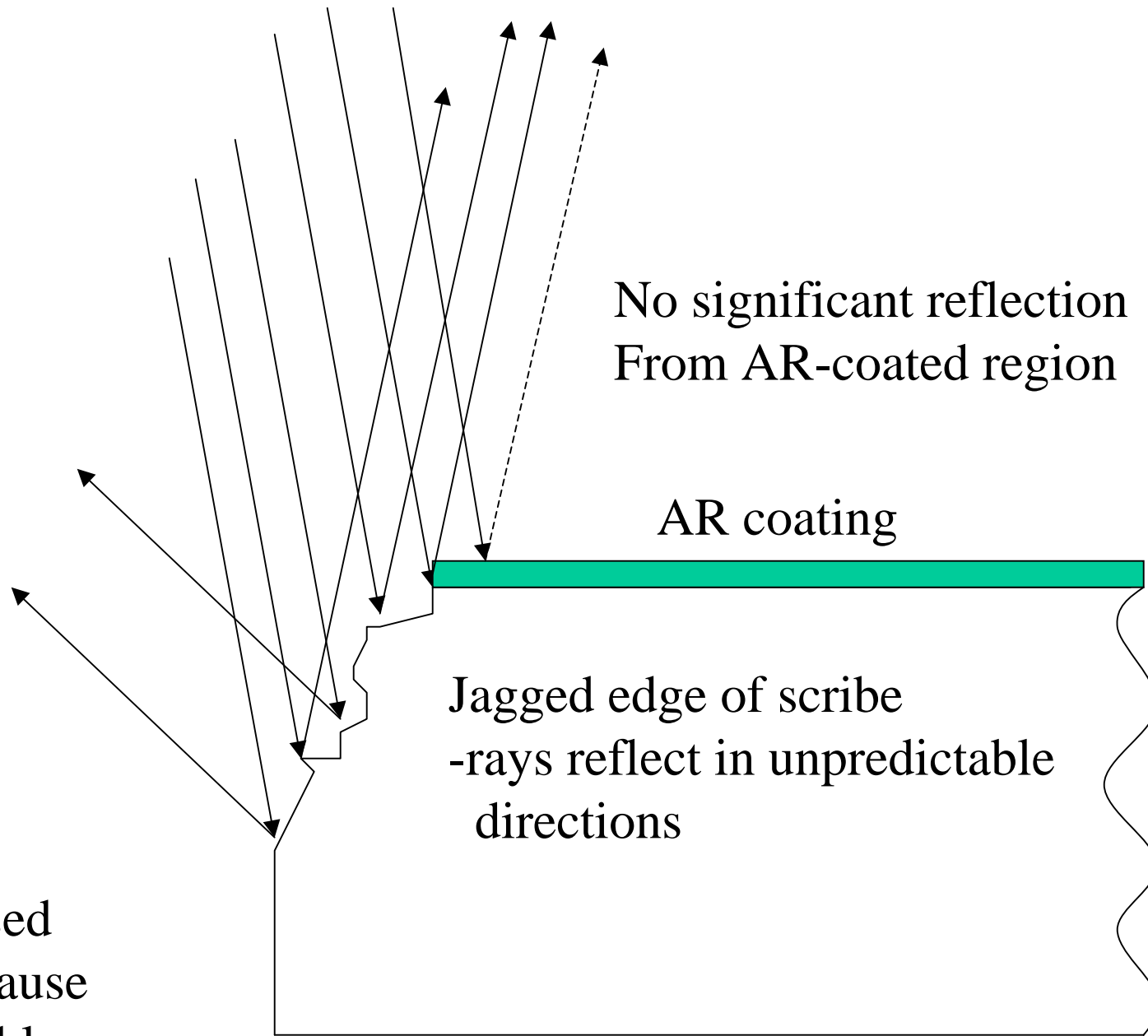
- Some users have reported anomalous flats when using some square emission line filters
- Anomalies manifested as lined darker and lighter regions in flats: as if tiled



Anomalous flat
Astrodon [OIII] 50x50mm square
KAF16803
TMB180 w/flattener
CFW4-5



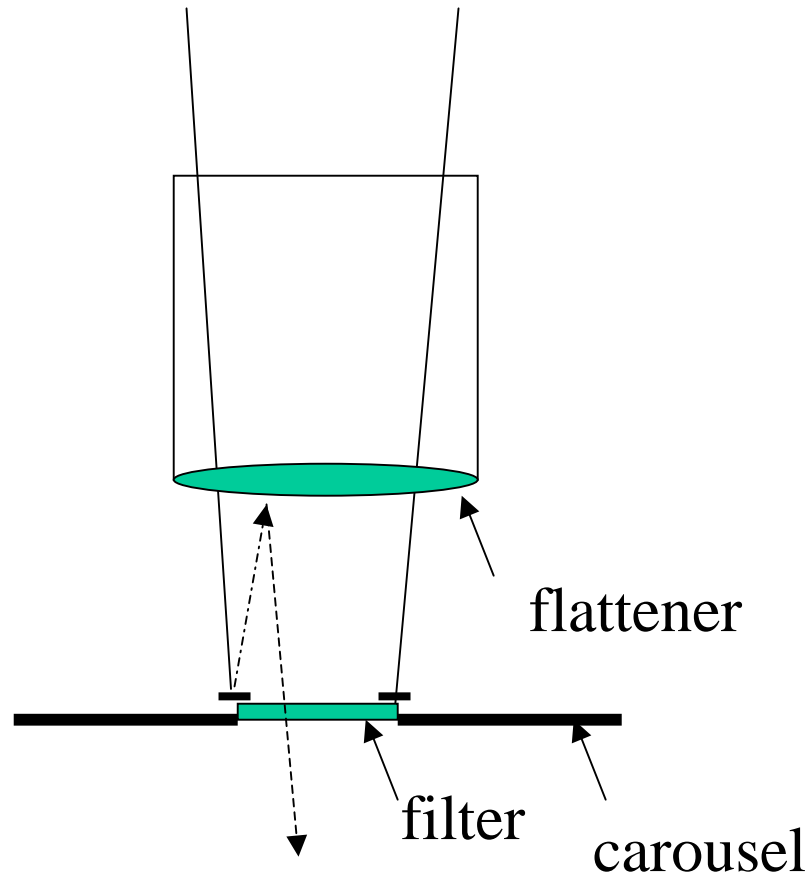
Theorized cause:
reflection of
passband signal from
Filter edge



Proposed
Root cause
Of problem:

Jagged edge of filter causes reflection of rays

rdrisp 7/22/2007

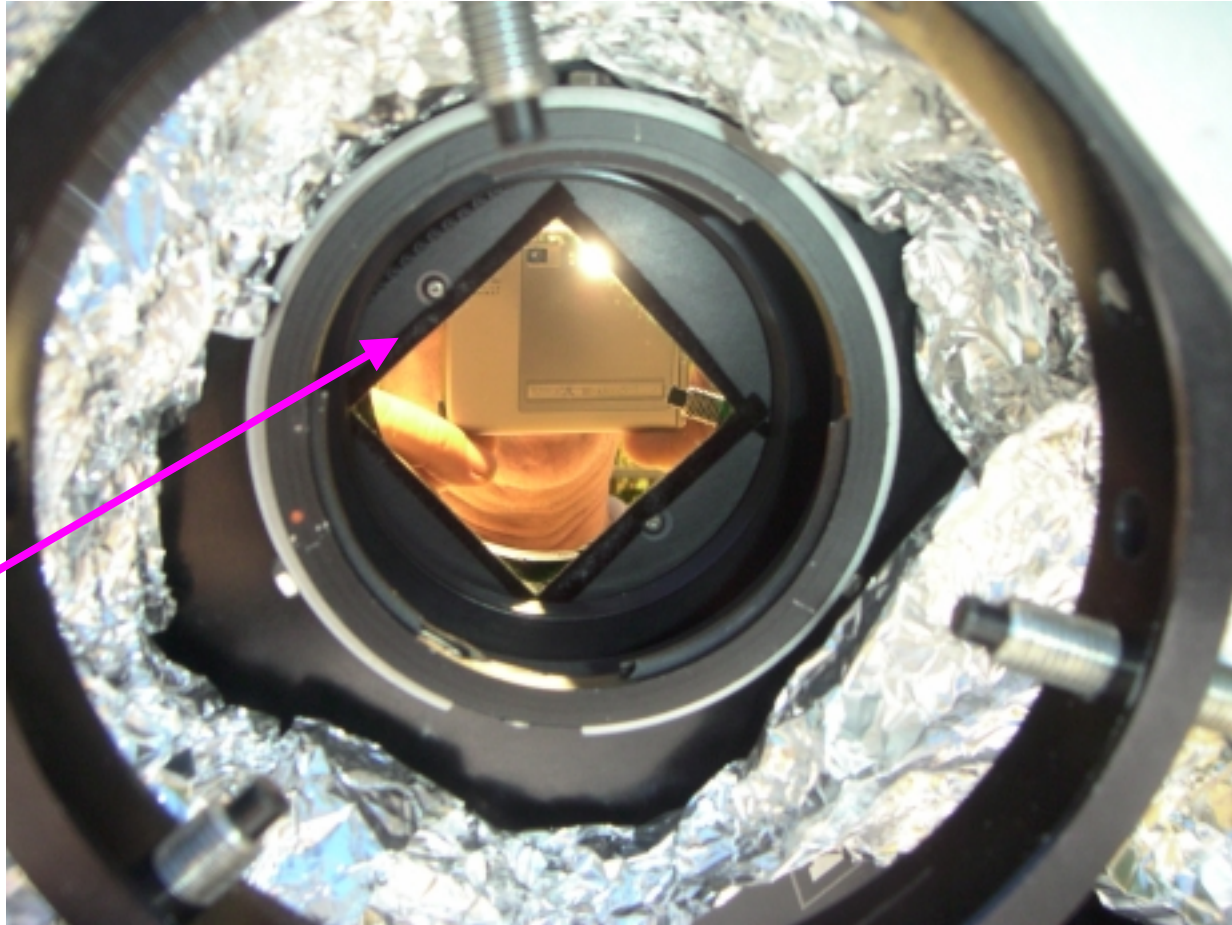


Experiment:

4mm wide flocking paper mask

Applied around filter edge

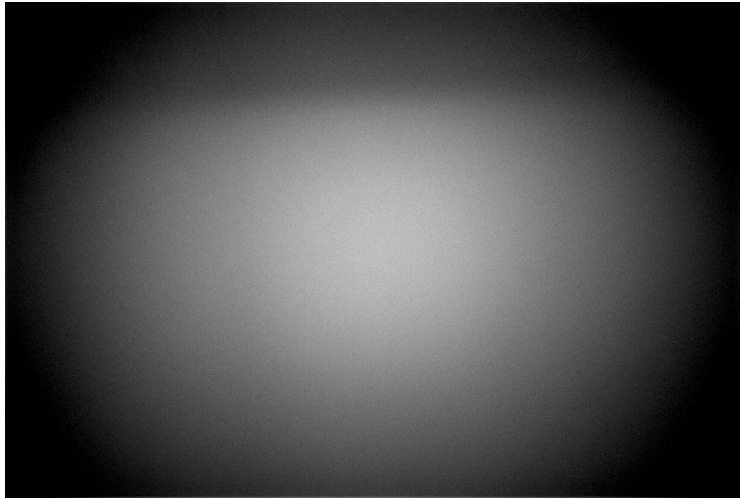
overlapping onto carousel



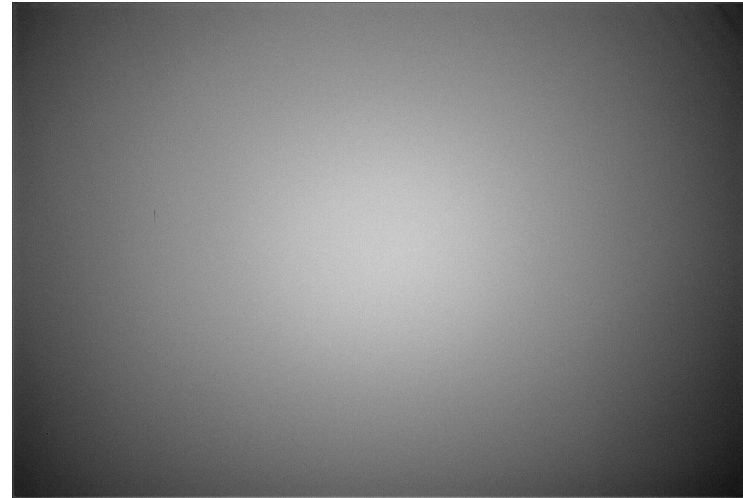
Flocking
paper
applied
to interface

Note the brightness of the black anodizing in the light path

rdcrisp 7/22/2007



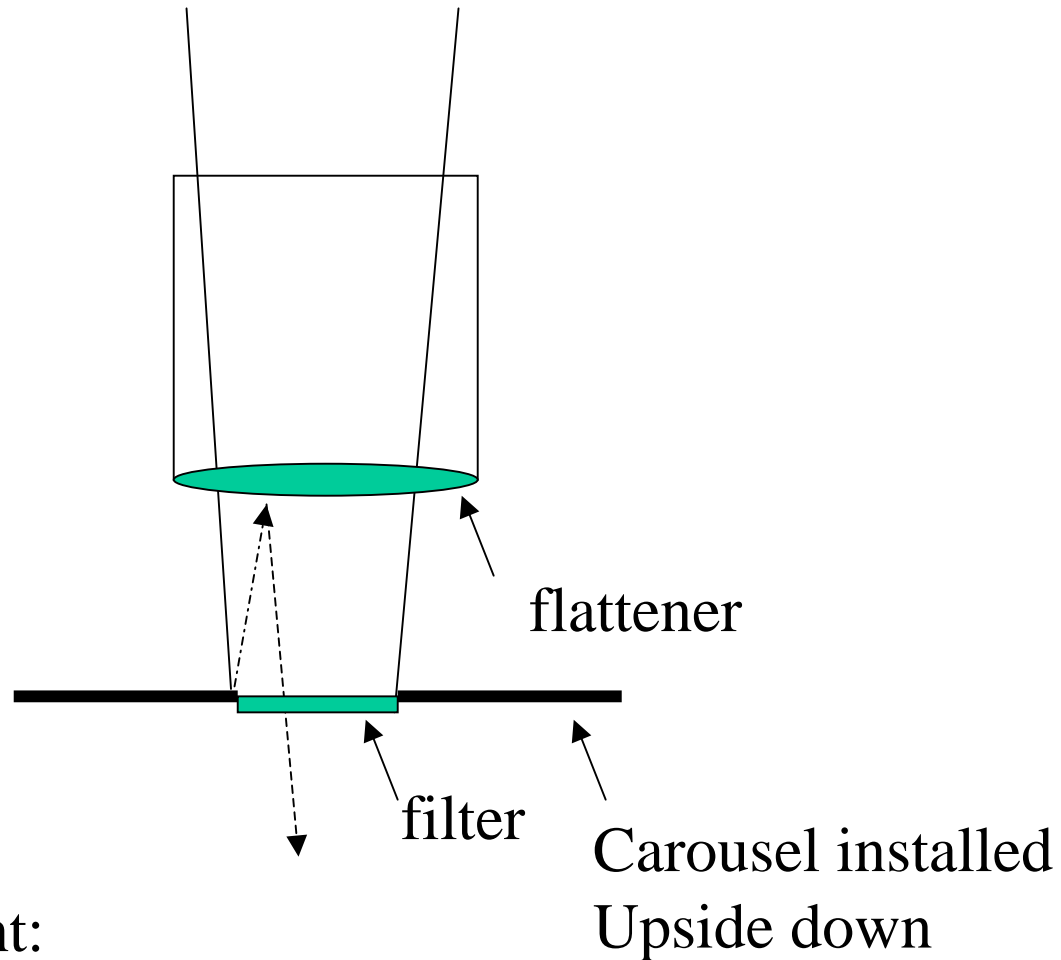
Before flocking paper mask
Anomalous flat
Baader Ha 50 x 50 mm square
KAF3200ME, Pentax 200mm
CFW4-5



After flocking paper mask
Non-anomalous flat
Baader Ha 50 x 50 mm square
KAF3200ME, Pentax 200mm
CFW4-5

Next steps

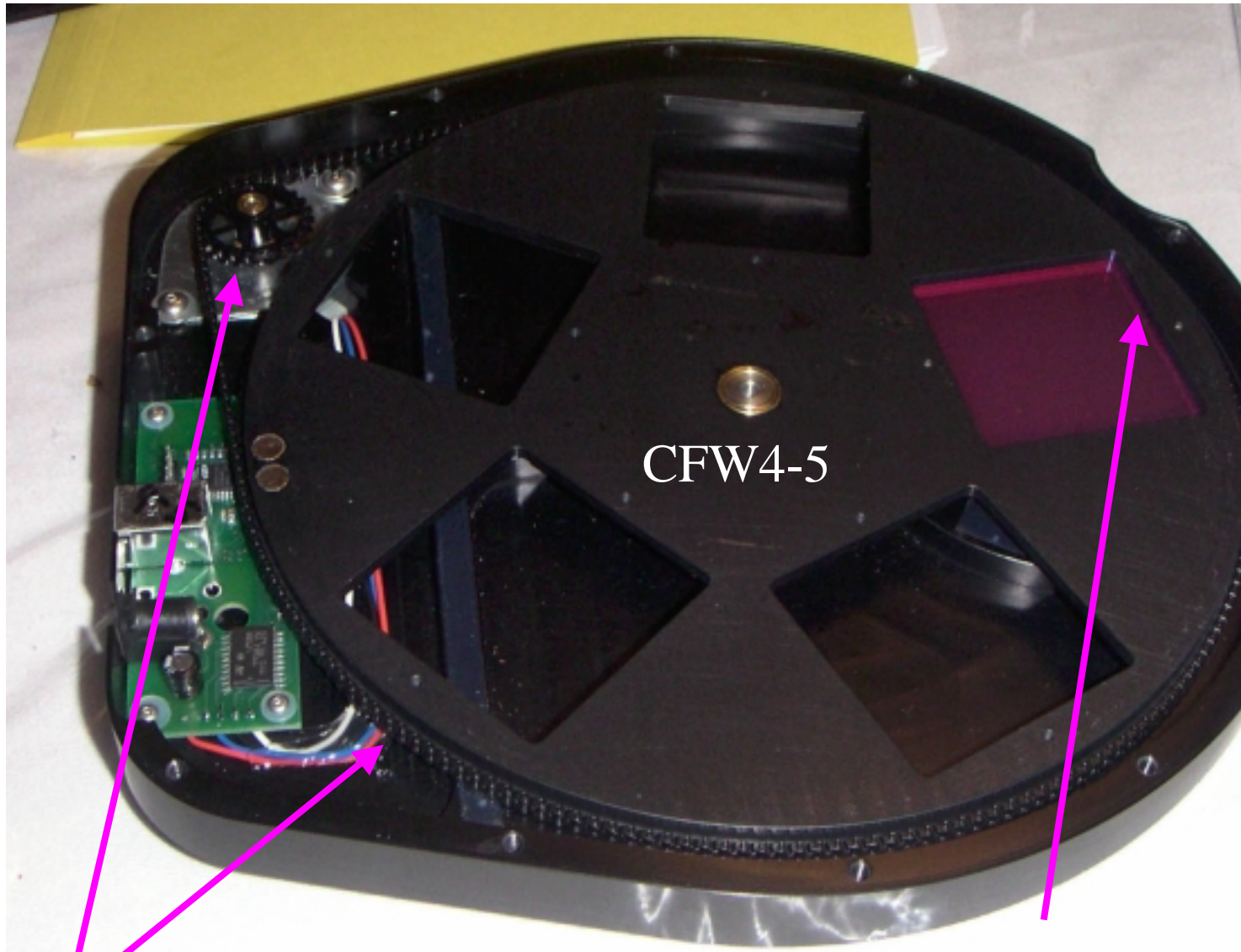
- Flip over carousel to load filters from bottom
 - Carousel pocket provides edge exclusion masking
 - No extra parts required
 - No extra internal clearance required
- Must flip over drive sprocket wheel too



Experiment:

Install carousel upside down:

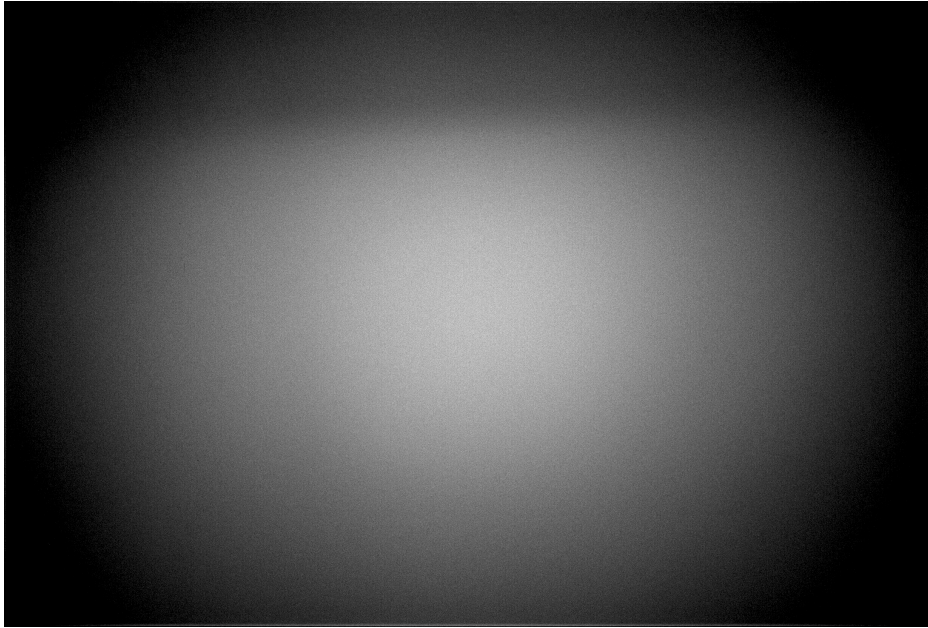
Filters load from bottom side. Provides edge exclusion masking for free and with no additional internal clearance requirements.



Flip carousel and drive sprocket

rdcrisp 7/22/2007

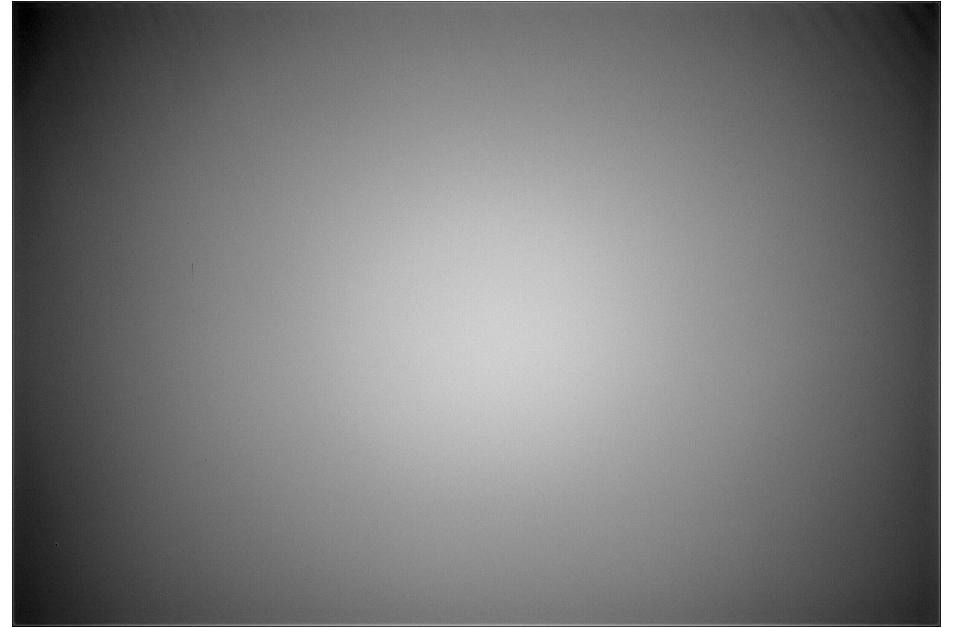
Filter loads from bottom
Gives clean edge! (better
if a knifedge avail)



Anomalous flat

Baader Ha 50 x 50 mm square
KAF3200ME, Pentax 200mm
CFW4-5

Filter inserted from topside with
No edge exclusion masking



Normal flat

Baader Ha 50 x 50 mm square
KAF3200ME, Pentax 200mm
CFW4-5

Carousel inverted, filter inserted
From bottom side. Carousel
provides edge exclusion masking

Comments

- Cannot leave an illuminated straight filter edge unprotected
 - Need some sort of edge exclusion masking
 - Paint, AR coating, bevel, rounding, mask etc can all work
 - Simplest to install carousel inverted and use carousel bottom as exclusion mask
 - Probably better if knife edge available